



REGAL FURNITURE CORE RANGE




REGAL
FURNITURE



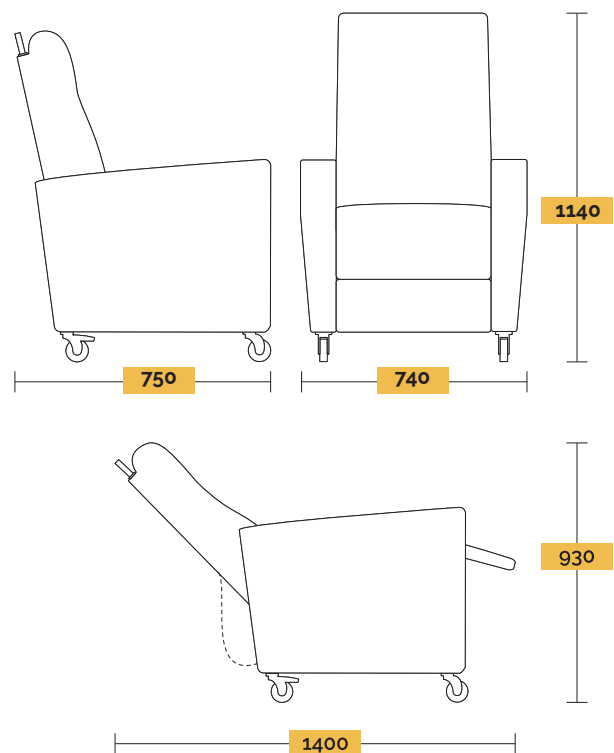
Recliners

Prime Recliner



Specifications

- Solid timber construction.
- Postural support and pressure relief.
- Castellated seat foam comfort layer over base foam reducing surface area contact to mitigate long term pressure issues.
- Back designed to provide lateral /vertical support and security with contour cut lumber and cervical modules forming back contour combined with 'comfort' layer over.
- Seat plane slopes slightly backwards giving maximum thigh support and preventing slipping forward. Modest width preventing lateral slumping and uneven distribution of weight.
- Back push bar for easy manoeuvrability designed for maximum chair weight load.
- Medical wheels. Back lock designed for hard floor or carpet movement.
- Three stage push mechanism allowing foot rest position or full resting recline.





Single Seats

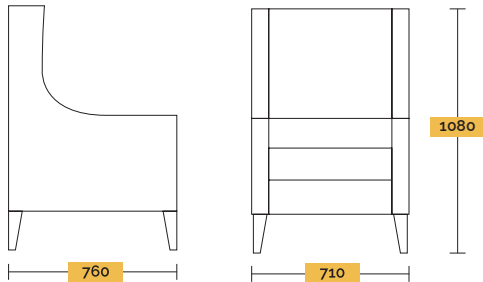


Esquire Chair

Fixed or Loose Cushion

Specifications

- Elegance combined with robustness make this chair extremely versatile.
- Solid timber frame with top quality webbing. Pressure reduction foam and tetron for ultimate comfort. Excellent lumbar support.
- High back and side wing support for neck and back (available without wings).
- Seat can be fixed or with a loose cushion. Extra cushions can be supplied.
- Balanced to allow stable entry and exit.
- Piping or top stitching options.
- Plain back or buttoned option.
- Timber legs available in clear or stained option.
- Robust but easy to move around if required. Legs are attached with an internal bolt system ensuring a firm connection.



Suited for

- Lounge or communal areas.
- Rooms or Suites particularly where a pair of chairs is required.
- Reception and entrance areas.
- Can be teamed up with Esquire two seater where a suite is required.

Ruby Chair

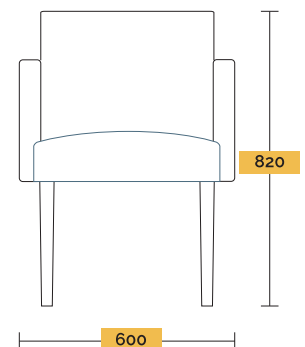


Specifications

- Small compact chair built to a very robust specification.
- Solid back and seat upholstery ensures it's always tidy.
- Solid and stable but easy to shift around and move through doorways if required.
- Frame can be clear polished or stained.

Suited for

- Ideal reception chair.
- Meeting or office space.
- Visitors chair.
- Room/bedside chair where size is limited.
- Small public space chair.
- Economical when budget is important.





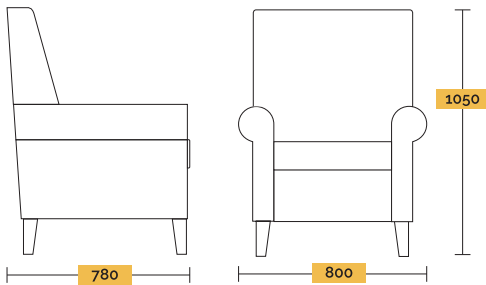
Topaz Chair

Specifications

- Solid timber construction providing an extremely robust fit for purpose chair.
- Foam layers crowning seat. Seat can be fixed or with a loose base cushion. Spare cushions can be supplied.
- High performance UV stabilised webbing giving ultimate flex and comfort.
- Available with wing support or without.
- Chair can have a piped or top stitch finishing detail.
- Dimensions designed to meet the Aged Care specification.
- Designed for stable entry and exit.
- Timber legs available as clear polished or stained.

Suited for

- Ideal lounge chair where an aesthetically pleasing and a less utilitarian approach is sought.
- Community seating option.
- Room chairs.
- Reception or small meeting room.
- Ideal for in-home care delivering elegance and functionality.



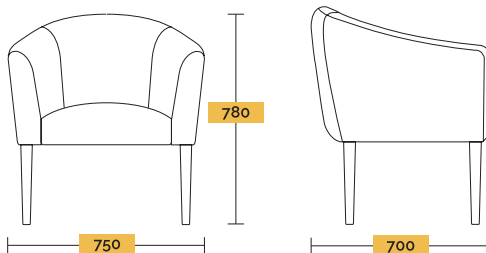
Exchange Tub

Specifications

- Solid timber frame forming complete height of the chair.
- Cushion crowned for seating comfort.
- Wrap around upholstery design providing 'cosy' comfort.
- Seams top stitched for extra strength.
- Dimensions allow for any person to be seated comfortably.
- Solid and stable but easy to move around when required.
- Attractive chair from any view.
- Upholstery can be mixed and matched – front to back.
- Frame available as clear polish or stain.

Suited for

- Reception or visitors chair.
- Room/bedside chair.
- Cluster seating around standard height table.
- Dining chair (arms fit under table).





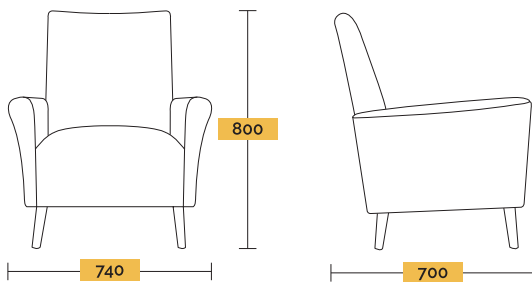
Astor Chair

Specifications

- Solid timber construction with fixed seat.
- Fluted back defining the small elegant line of the chair.
- Narrow but shaped arm allowing a stable chair for entry and exit.
- Small foot print extremely well suited for aged care.
- Deep seat allowing leg comfort.
- Top stitched detail and attractive back view.
- Easy chair to move around.

Suited for

- Room or bedside chair.
- Reception and entrance chair.
- Meeting Room chair.
- Activity Room or where cluster seating is required.



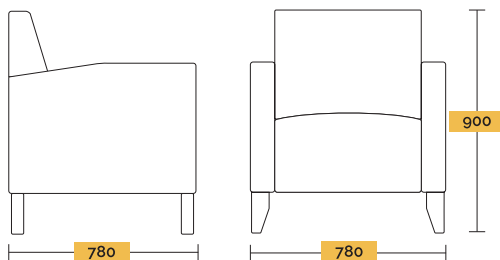
Wiri Chair

Specifications

- Solid timber construction with locked timber feet.
- Ergonomically designed for any body size.
- Comfort foam with extra top layer for extra plushness.
- High performance UV stabilised webbing for flex and comfort.
- Classic style suitable for any level of care.
- Designed for stable entry and exit.
- All in one fixed upholstery making it a very tidy chair at all times.
- Easy style to match up with Verdi sofa.
- Legs available clear polished or stained.

Suited for

- Lounge or community areas.
- Reception or entry chair.
- Meeting room.
- Visitors chair.
- Room or bedside chair.





Euro Chair

Specifications

- Two-sided arm chair suitable for corner rooms
- Two euro chairs, side by side, make a sofa
- Various leg stain options are available

- 815h x 780w x 450d



Tawhai Chair

Specifications

- A comfortable and inviting solid timber chair
- Suitable for a shared space or bedroom
- Various leg stain options are available

- 1020h x 700w x 730d



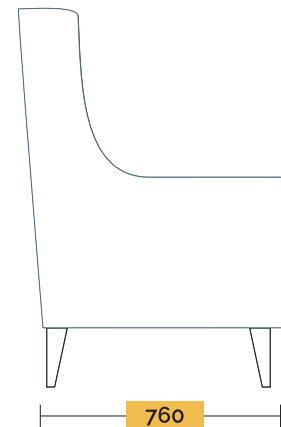
Two Seaters



Esquire 2 Seater

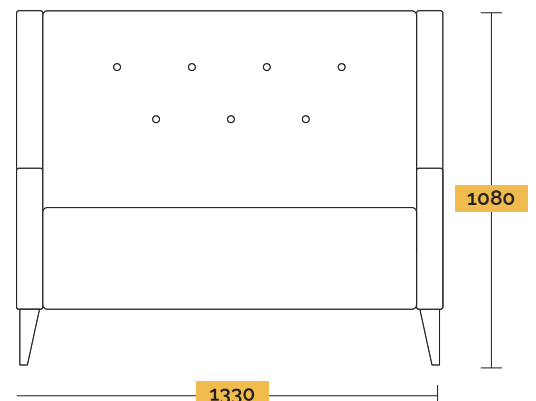
Specifications

- Solid timber frame with top quality webbing. Pressure reduction foam and tetron for ultimate comfort. Excellent lumbar support.
- High back and side wing support for neck and back.
- Fixed seat which always looks tidy after use.
- Balanced to allow stable entry and exit.
- Piping or top stitching options.
- Plain back or buttoned option.
- Timber legs available in clear or stained option.
- Robust but easy to move around if required. Legs are attached with an internal bolt system ensuring a firm connection.
- Attractive back view where sofa is free standing.

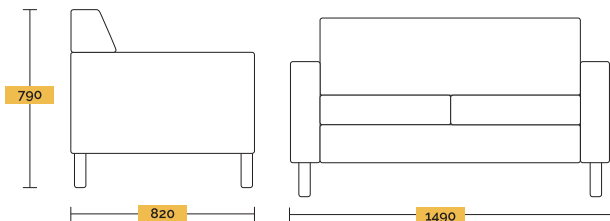


Suited for

- Ideal for any Aged Care Lounge or reception area.
- Aged Care Suites where a 2 seater is desirable but limited floor space.
- Small intimate meeting or counselling room where a sofa is appropriate.
- An elegant piece of furniture where an 'up-spec look' is sought.
- Able to be teamed up with the Esquire chair to form cluster seating.



Verdi 2 Seater



Specifications

- Solid timber frame with high performance UV stabilised webbing, pressure reduction foam and tetron for ultimate comfort.
- Fixed back helping support and stability, 2x loose reversible base cushions.
- Dimensions allow for a scatter cushion if user is infirm and needs personal support.
- Wide arms allowing stable entry and exit.
- Timber legs available in clear or stained option.
- Designed for functionality and timeless style.
- Can be manufactured as a 2 1/2 or 3 seater if required.
- Attractive back view where sofa is free standing.

Suited for

- Ideal for any aged care lounge or reception areas.
- Easy to group in pairs facing each other with coffee table or side tables.
- Meeting or counselling room where a sofa is appropriate.
- A timeless sofa able to work with any other style of chair.

Matai Queen Sofa Bed



Specifications

- Queen Sofa with proflex innersprung mechanism
 - Slat base and inner sprung mattress
 - Ultimate comfort for two adults
 - Commercial weight and quality
 - Also available as plain 2, 2.5 and 3 seater sofas
- 2080x x 880d x 780h



Ottomans

Ottoman

Round



Specifications

- Modern round ottoman
- Styled to incorporate style and functionality
- Ideal for use with single, 2 and 3 seaters

- 1000 (dia) x 460h

Ottoman

Rectangular



Specifications

- Rectangular ottoman designed to match to single chairs and sofas
- Made to measure as required

- 1200w x 500d x 450h



Headboards

Queen Headboard

Square Standard



Specifications

- Headboards can be styled for every design situation
- Additional design effects include Nail Trim (single or double), vertical fluting, diamond pleat or diamond button pleat (additional cost)
- 1620w x 1400h x 60d



Settee

Chaise Sofa



Specifications

- Chaise works well in a limited space, to expand seating options
- Options: Left or right arm; legs or buffer feet
- 1880l x 855h x 1410d